

brother

SL-1110 S-7550A

パーツリスト PARTS LIST

1 本針高速本縫ミシン HIGH SPEED SINGLE NEEDLE STRAIGHT LOCK STITCHER

型式板の見方 Description of model plate

SL-1110-□

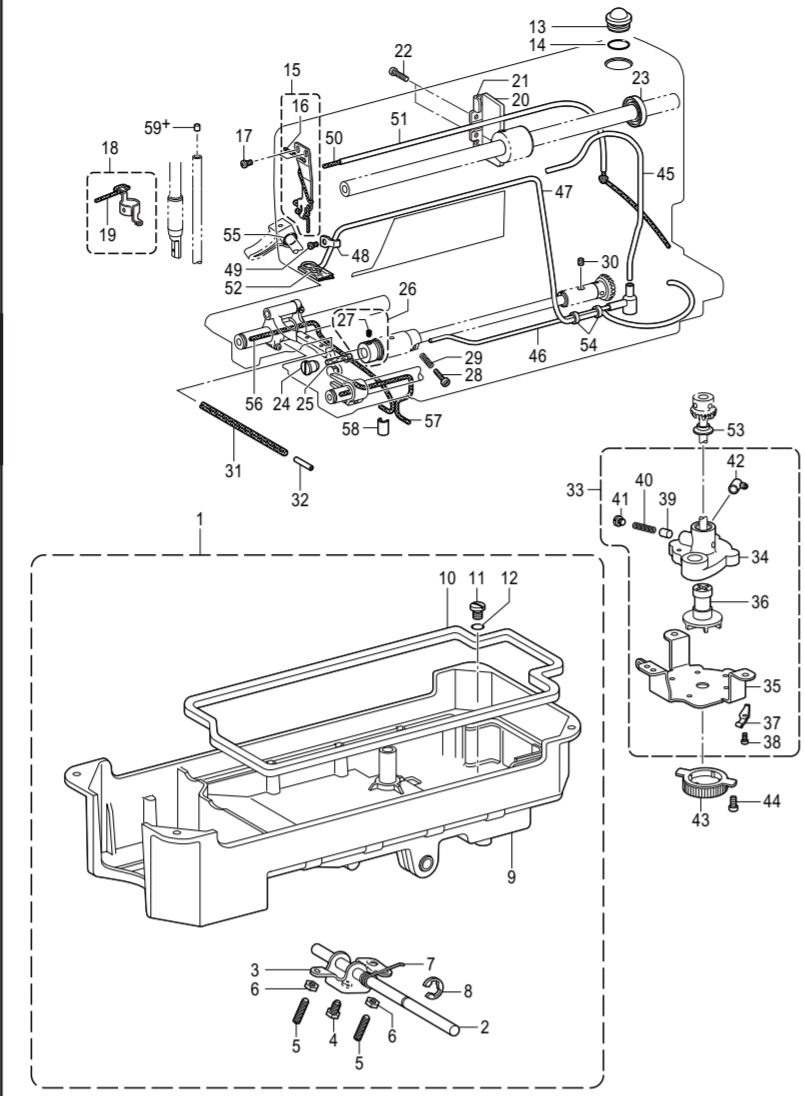
S-7550A-□

- 1. 薄物用 (中国向) Light-weight Materials (For China)
2. 中厚物用 Medium-weight materials
3. 厚物用 Heavy-weight materials

- 1. このリストは、2006年09月のデータに基づいて作成されたものです。
2. 部品は予告なしに設計変更される場合があります。
3. 組単位で補給する部品は、破線で示してあります。
4. イラスト中の数字の末尾に "+" が付いている場合は、仕様異なりますのでリストを参照ください。
5. リスト中の CODE 欄に "\* Ga." がある場合は、仕様異なりますので、項目 "Ga. ゲージ部品一覧" を参照ください。

- 1. This list was prepared based on information available in September 2006.
2. Parts are subject to changes in design without prior notice.
3. Parts supplied as complete assemblies are circled in a dotted line.
4. If the symbol "+" is found at the end of number in the figure, refer to the parts list, because specification differs.
5. If the symbol "\* Ga." is found in CODE column in list, refer to item the "Ga. Gauge parts list", because specification differs.

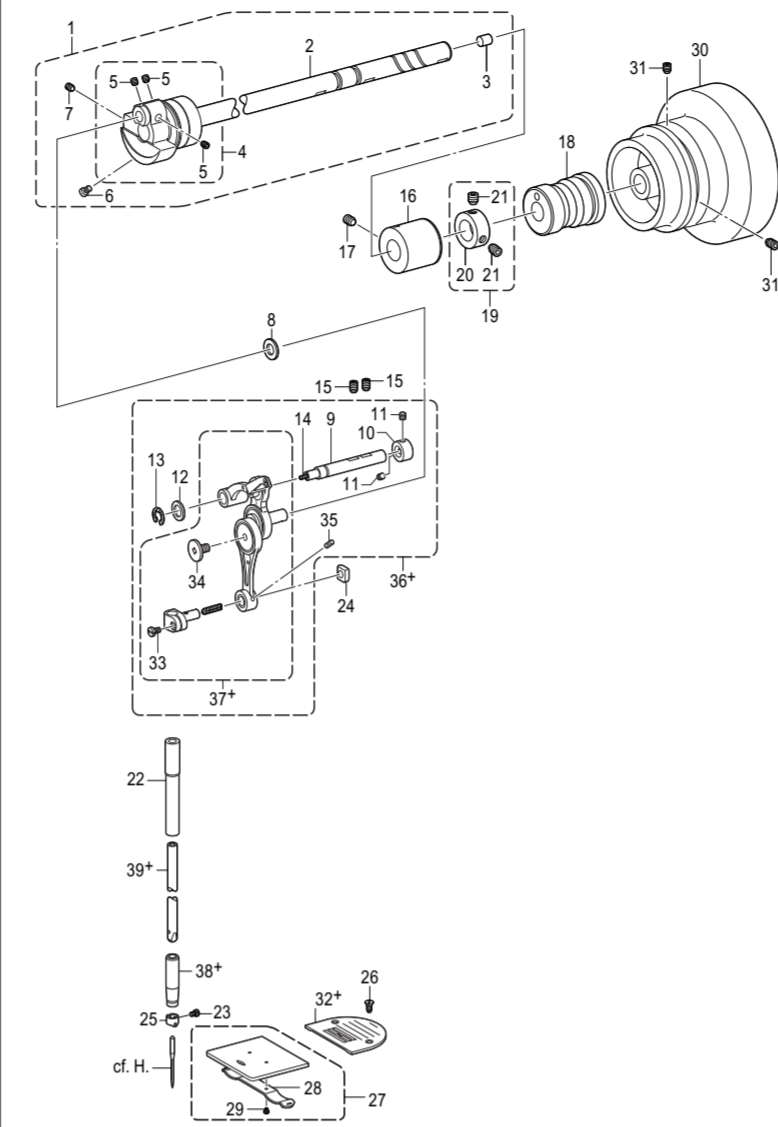
A. 給油潤滑関係 / Lubrication



SL-1110-350

Table with 5 columns: REF.NO, CODE, QTY, 品名, NAME OF PARTS. Lists parts for the lubrication system.

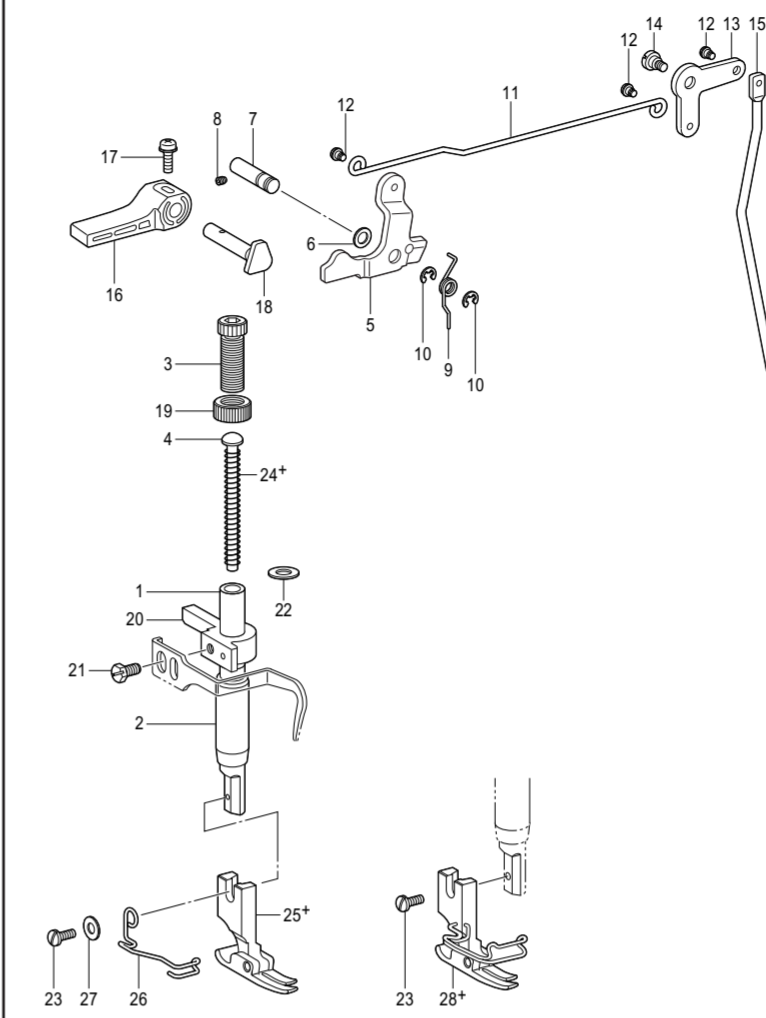
B. 針棒・天秤関係 / Needle bar and thread take-up mechanism



SL-1110-101

Table with 5 columns: REF.NO, CODE, QTY, 品名, NAME OF PARTS. Lists parts for the needle bar and thread take-up mechanism.

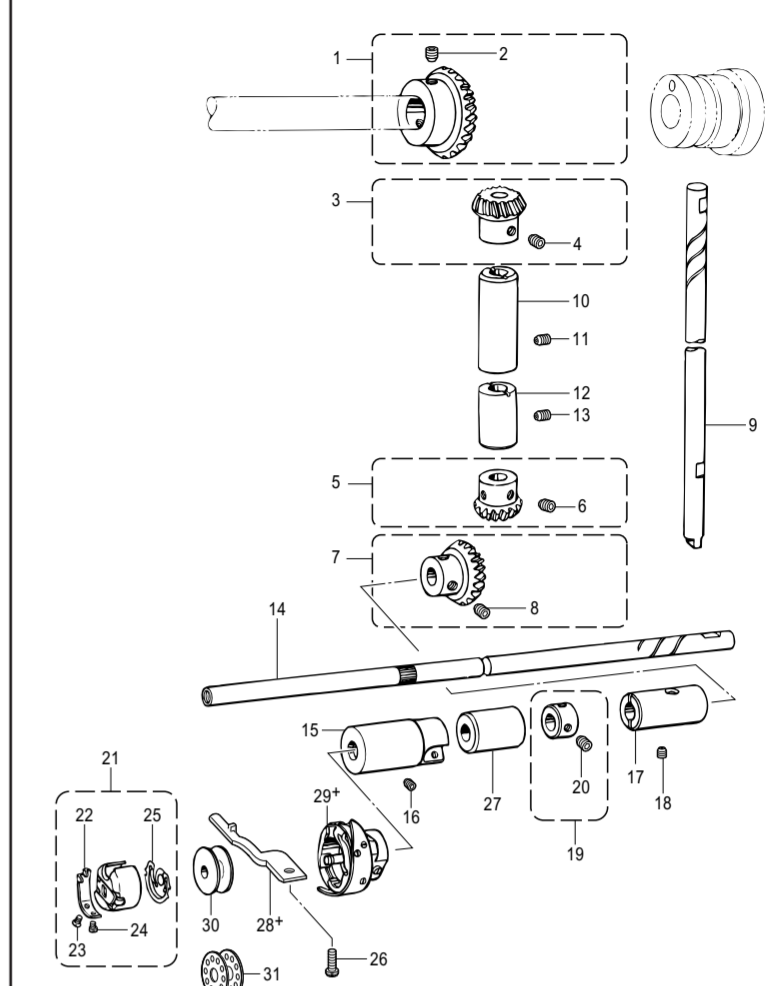
C. 押え関係 / Presser foot mechanism



SL-1110-201

Table with 5 columns: REF.NO, CODE, QTY, 品名, NAME OF PARTS. Lists parts for the presser foot mechanism.

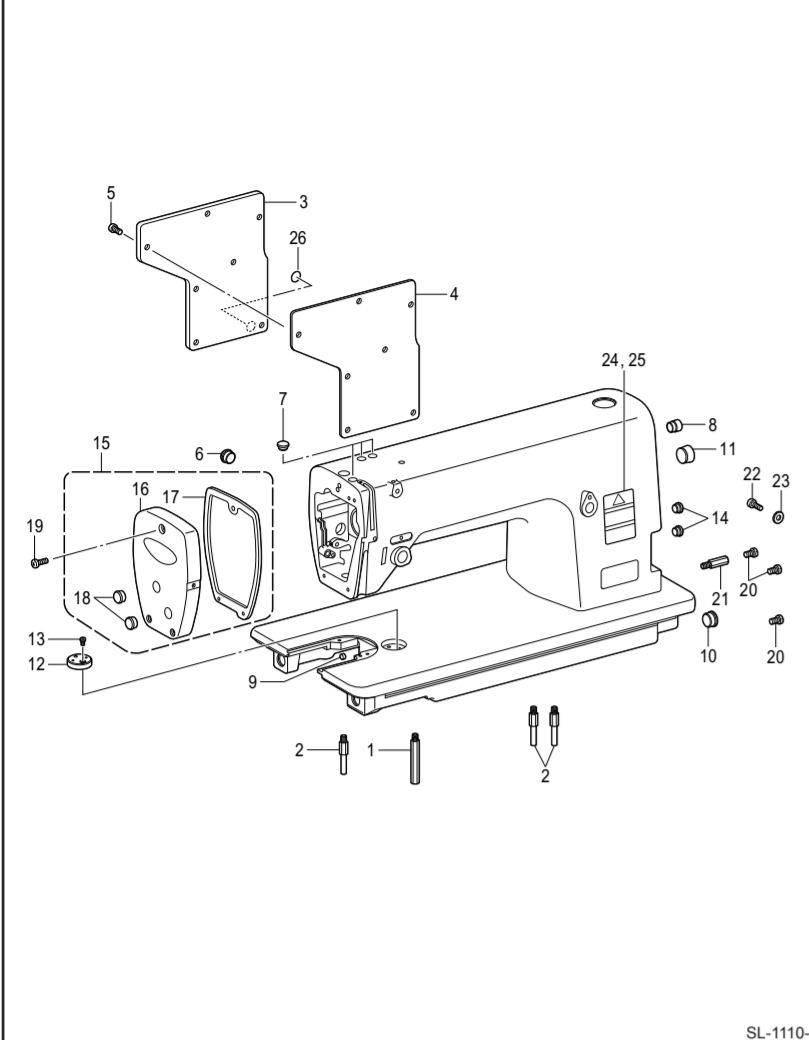
D. かま関係 / Rotary hook mechanism



SL-1110-301

Table with 5 columns: REF.NO, CODE, QTY, 品名, NAME OF PARTS. Lists parts for the rotary hook mechanism.

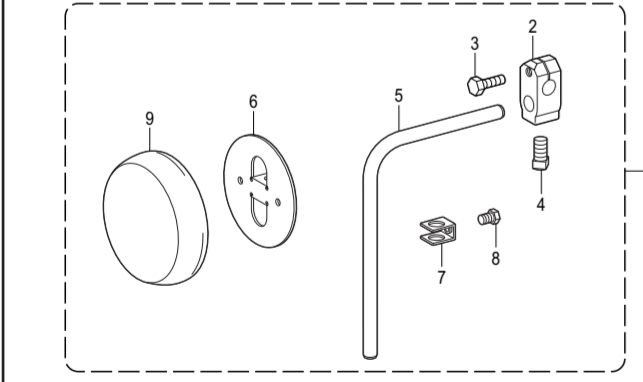
E. 主体関係 / Machine body



SL-1110-050

Table with 4 columns: REF.NO, CODE, QTY, 品名 (Part Name), and NAME OF PARTS. Lists parts for the machine body including bed legs, side plates, covers, and caps.

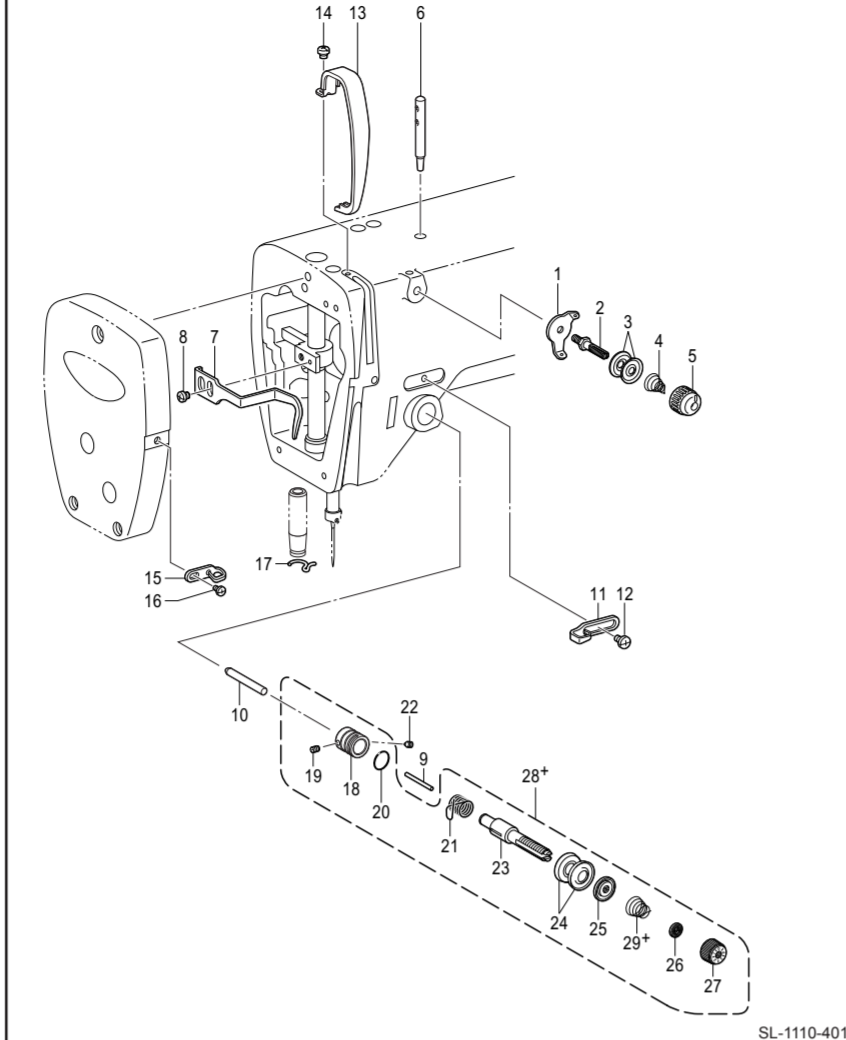
F. 膝上げ関係 / Knee lifter mechanism



SL-1110-203

Table with 4 columns: REF.NO, CODE, QTY, 品名 (Part Name), and NAME OF PARTS. Lists parts for the knee lifter mechanism including the lifter assembly, bracket, and plate.

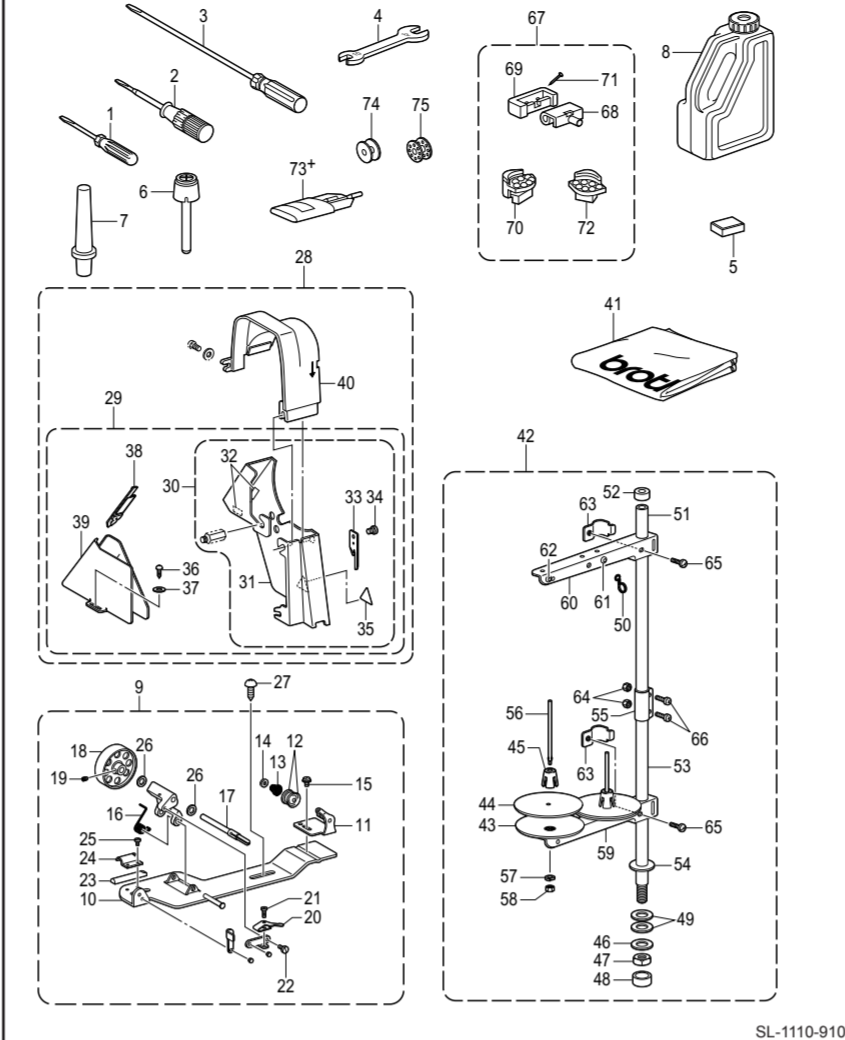
G. 糸通し関係 / Threading mechanism



SL-1110-401

Table with 4 columns: REF.NO, CODE, QTY, 品名 (Part Name), and NAME OF PARTS. Lists parts for the threading mechanism including thread guides, discs, springs, and tension components.

H. 付属品関係 / Accessories



SL-1110-910

Table with 4 columns: REF.NO, CODE, QTY, 品名 (Part Name), and NAME OF PARTS. Lists various accessories such as tools, markers, and winder components.

J. 送り関係 / Feed mechanism

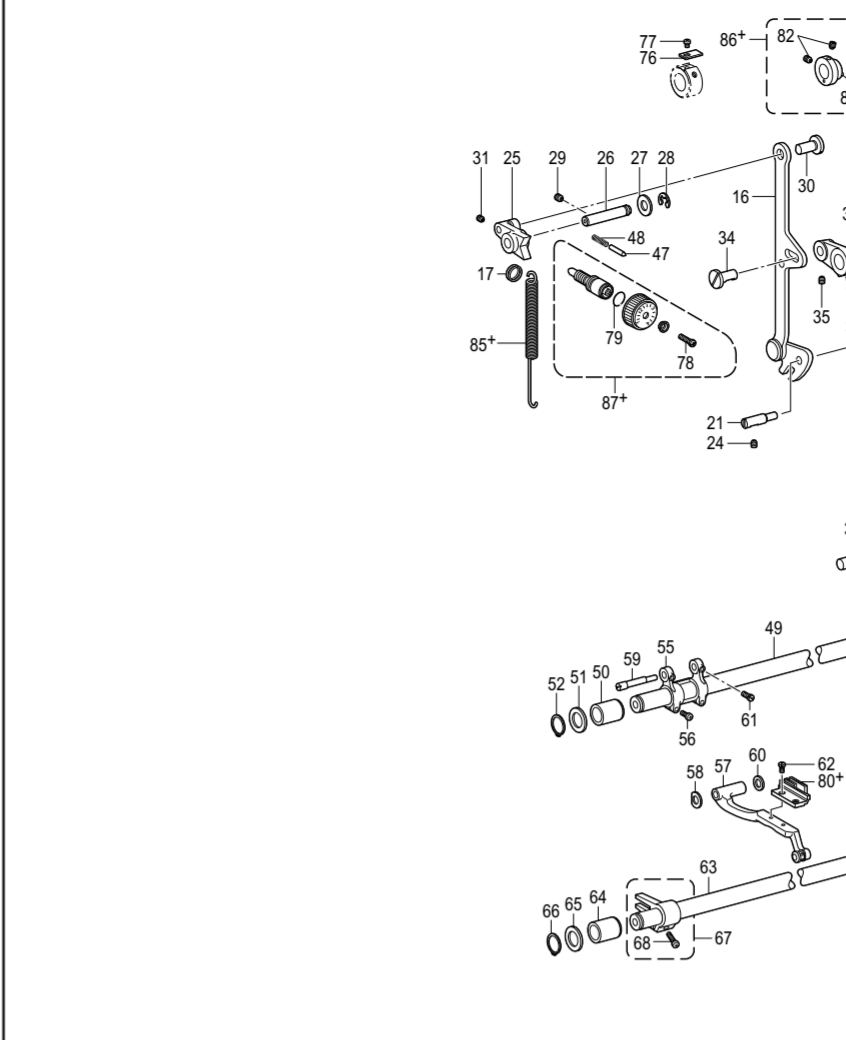
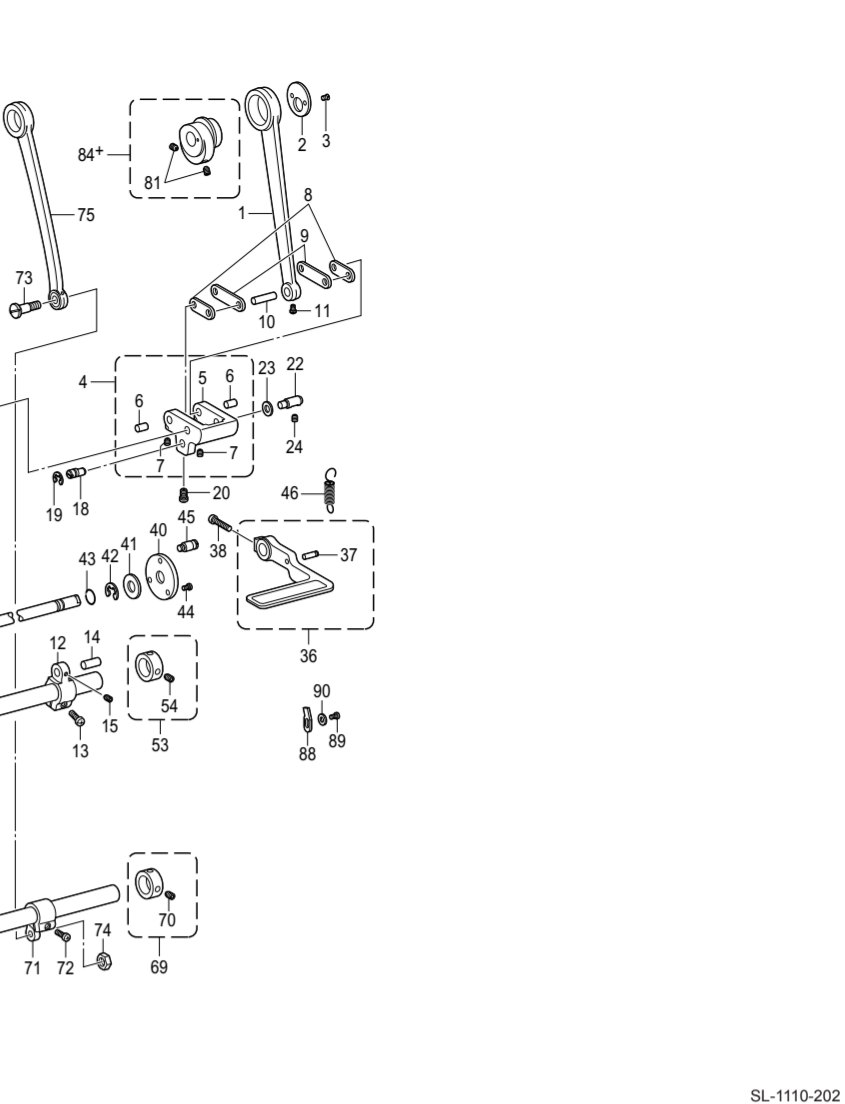


Table with 4 columns: REF.NO, CODE, QTY, 品名 (Part Name), and NAME OF PARTS. Lists parts for the feed mechanism including connecting rods, holders, flats, and regulators.



SL-1110-202

Table with 4 columns: REF.NO, CODE, QTY, 品名 (Part Name), and NAME OF PARTS. Lists parts for the feed mechanism including eccentric wheels, springs, and dial assemblies.

Wa. 警告ラベル / WARNING LABELS

Table with 4 columns: 警告ラベル / Warning labels, 品名 / Name of parts, Size (mm), and Code. Lists warning labels for caution and injury.

Ga. ゲージ部品一覧 / Gauge parts list

Table with 5 columns: 仕様 / Specification, 仕向 / Destination, 針板 / Needle plate, 送り歯 / Feed dog, and 押え組 / Presser foot assembly. Lists gauge parts and their specifications.